

F

	F410 G4	F412 G4	F413 G4	F414 G4
Wire Capability @ 600N/mm ²	3 to 10 mm	4 to 12 mm	4 to 13 mm	4 to 14 mm
Wire Capability @ 85 Ksi	.12 - .4"	.15 - .47"	.15 - .51"	.15 - .55"
Bending Arm Length	755 mm	755 mm	755 mm	1070 mm
	29.7"	29.7"	29.7"	42.1"
# of Servos	4	4	4	4
Power	15 kVA	15 kVA	15 kVA	15 kVA
Machine footprint - excluding pay-off, straightener gates and hydraulic unit	2150 x 2400 mm	2150 x 2400 mm	2150 x 2400 mm	2150 x 2915 mm
	7 x 7.9'	7 x 7.9'	7 x 7.9'	7 x 9.5'
Weight (without decoiler)	2700 kg	2700 kg	2700 kg	2900 kg
	6,000.00 lbs	6,000.00 lbs	6,000.00 lbs	6,400.00 lbs

Robomac

	R206 G4	R208 G4	R210 G4	R310 G4	R213 G4	R214 G8	R216 G8
Wire Capability @ 600 N/mm ²	2 to 6 mm	2,5 to 8 mm	3 to 10 mm	3 to 10 mm	4 to 13 mm	4 to 14 mm	5 to 16 mm
Wire Capability @ 85 Ksi	.08 - .25"	.1 - .325"	.125 - .4"	.125 - .4"	.15 - .51"	.15 - .55"	.2 - .625"
Bending Arm Length	650 mm	750 mm	750 mm	800 mm	850 mm	850 mm	1000 mm
	25.6"	29.5"	29.5"	31.5"	33.5"	33.5"	39.4"
Arm Extension - optional-		200 / 250 mm + 10"	200 / 250 mm + 10"	200 mm + 7.9"	200 mm + 7.9"	200 mm + 7.9"	
Bending Heads	2	2	2	3	2	2	2
# of Servos	5	5	5	5	5	6	6
Power	10kVA	10kVA	10 kVA	10 kVA	15 kVA	15 kVA	15 kVA
Machine footprint - excluding pay-off, straightener gates and hydraulic unit	2150 x 1900 mm	2150 x 2030 mm	2150 x 2030 mm	2150 x 2080 mm	2150 x 2170 mm	2150 x 2540 mm	2170 x 2870 mm
	7 x 6.2'	7 x 6.7'	7 x 6.7'	7 x 6.9'	7 x 7.1'	7 x 8.4'	7.1 x 8.4'
Weight (without decoiler)	2300 kg	2300 kg	2300 kg	2400 kg	2600 kg	3000 kg	3200 kg
	5,000.00 lbs	5,000.00 lbs	5,000.00 lbs	5,300.00 lbs	5,750.00 lbs	6,700.00 lbs	7,000.00 lbs

FTX

	FTX10	FTX13
Wire Capability @ 600 N/mm ²	3 to 10 mm	4 to 13 mm
Wire Capability @ 85 Ksi	.125 - .4"	.15 - .51"
Bending Arm Length	1045 / 1210 mm	1045 / 1210 mm
Working Area	2400 mm ²	2400 mm ²
	3.8 sq in	3.8 sq in
Servo bending pin stroke (multi-level and multi-radius)	60 mm	60 mm
	2.36"	2.36"
# of Servos	7	7
Power	15 kVA	15 kVA
Machine footprint - excluding pay-off, straightener gates and hydraulic unit	2150 x 2515 mm	2150 x 2515 mm
	7 x 8.25'	7 x 8.25'
Weight (without decoiler)	2700 kg	2700 kg
	6,000.00 lbs	6,000.00 lbs

Numalliance, beyond bending...

The leading manufacturer of wire, tube, flat-stock and spring CNC Equipment and secondary operations.

Numalliance pioneered the world of CNC wire bending machine for the past 3 decades. For standard equipment or custom line of production with secondary operation such as coining, piercing, chamfering, welding, threading,... If you are looking to for a cost effective way to produce part in wire, tube or flat-stock and spring, rely on Numalliance expertise.



www.numalliance.com

Worldwide Presence



Parc d'Activités
F 88470 SAINT MICHEL SUR MEURTHE
Tel. : +33 (0)3 29 58 36 15
Fax : +33 (0)3 29 58 46 47

mail : numalliance@numalliance.com



www.numalliance.com

3V-F&F-EN-13 - www.dargdesign.com



Beyond Bending



Feed & Form

The Feed & Form range from NUMALLIANCE provides an answer for any type of production needs from prototyping to medium series. The Touch & Form Series offers the combination of best of both worlds from LATOUR (Robomac line) and MACSOFT (F, FTX lines), featuring a user-friendly interface, large touchscreen and teach-in pendants.

The modularity of the common platform enables easy integration of in-line secondaries as well as off-line operations. Feed & Form series has fully interchangeable straightening and feeding components and keeps simple and optimized cost of bending tools for time-efficient change-overs. Bending capabilities varies from one line to the other based on the application's special requirement.

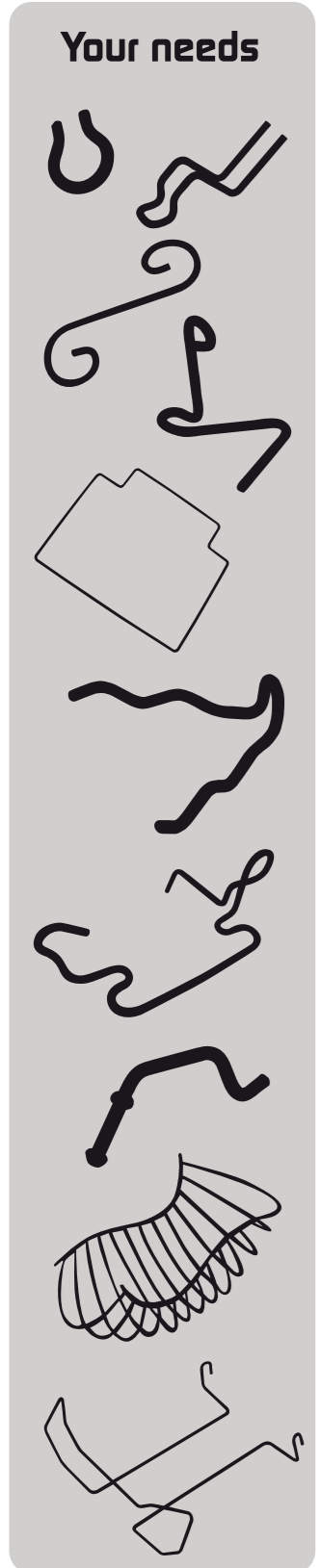
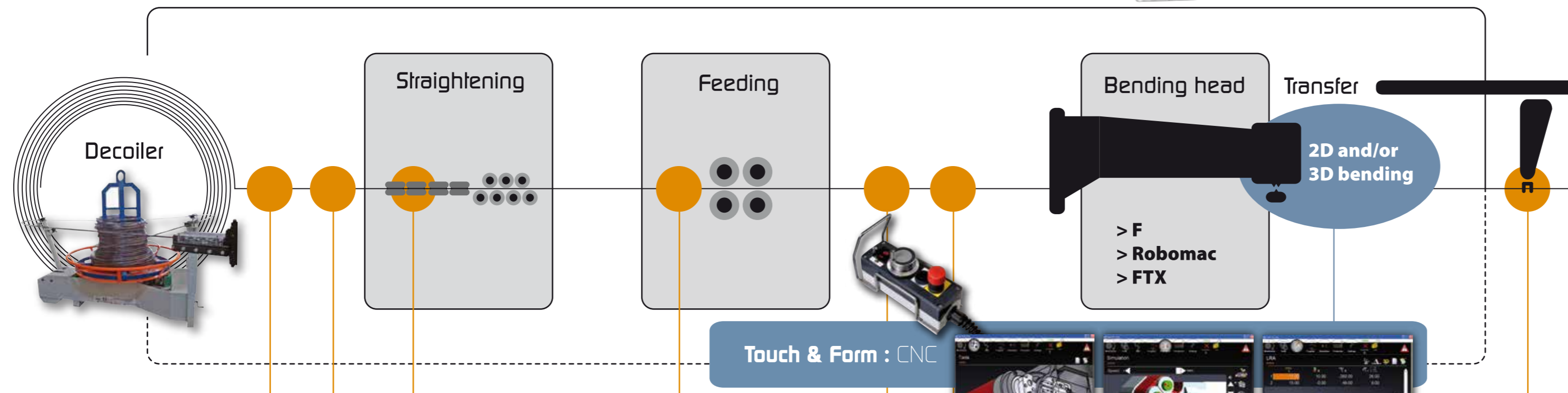


Secondary operations

	Heading
	Machining
	Press operations
	Welding



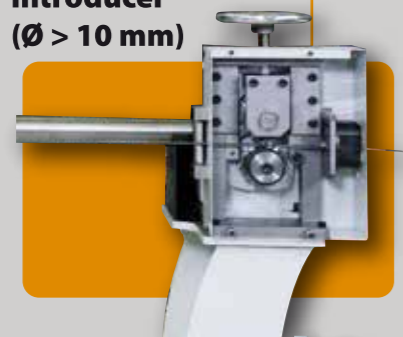
Common basis for the feed & form range



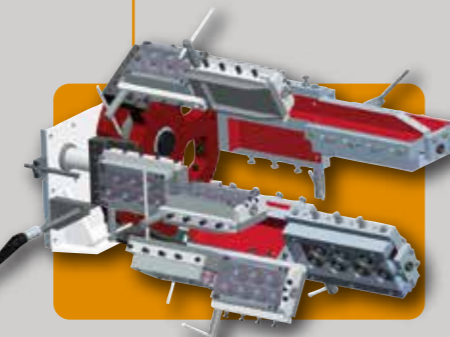
Your needs

Options

Power feed introducer (Ø > 10 mm)



Rotating turret 2/4/6 positions



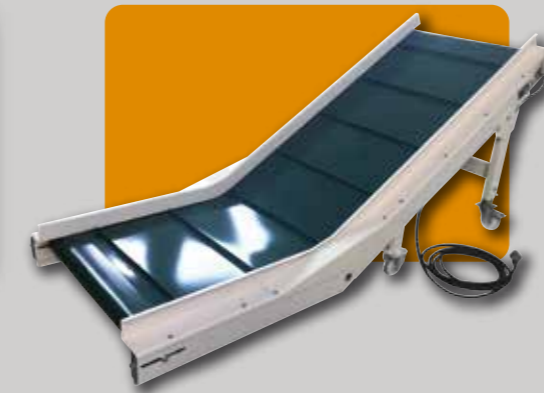
Double feed-unit



In-line chamfer



Conveyor belt



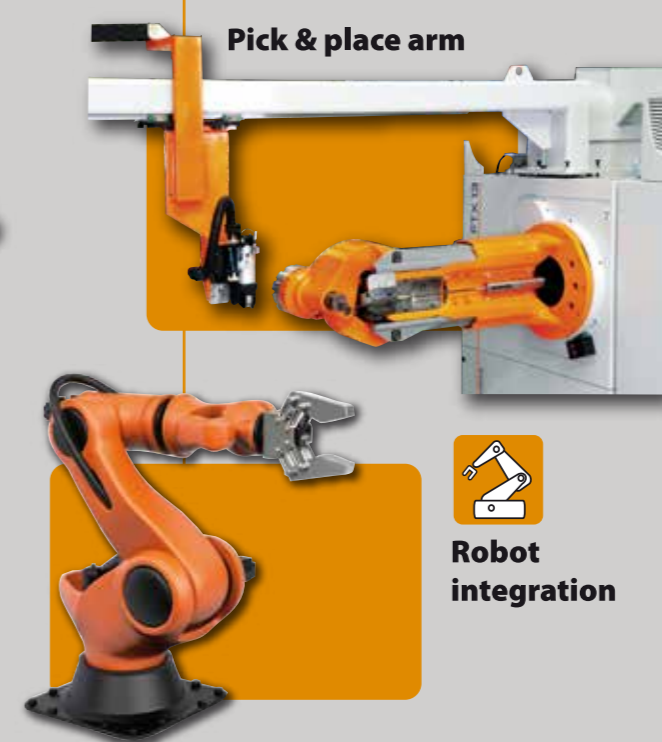
Control 3D



Marking and Chamfer example



Pick & place arm



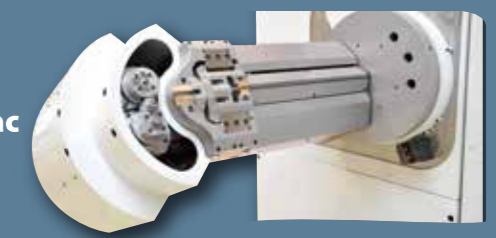
Robot integration

Bending heads

F4XX



Robomac



FTX

